

SAled®

A U S T R A L I A

SAled LED Module

SA HLC3S LW(2835) W65K

SAMSUNG

CE IP68



SPECIFICATION

- High Efficiency Samsung 2835 LED Mounted
- Excellent Protection Rate against Rain, Direct Light & Ultraviolet Rays
- 150° Wide Beam Angle Optic Lens applied
- Less Quantity, Better Uniformity for Lower Channel Letters
- 5 years Warranty
- Made in Korea

OPTICAL CHARACTERISTICS

Available Color	Luminous Flux(lm)	CCT (Kelvin)	CRI(Ra)	Viewing Angle
Pure White	72	6,500	80	150°

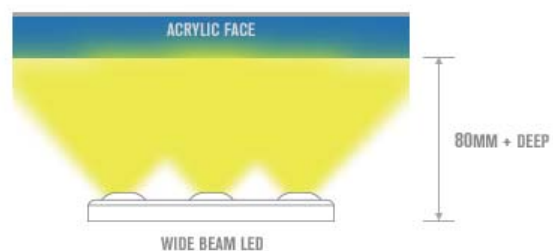
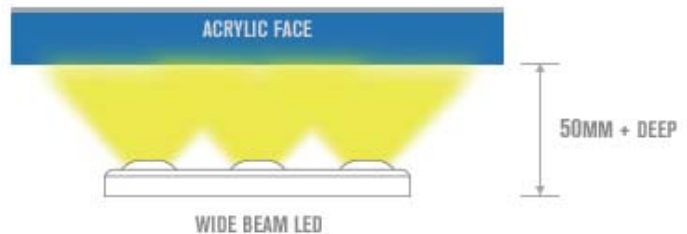
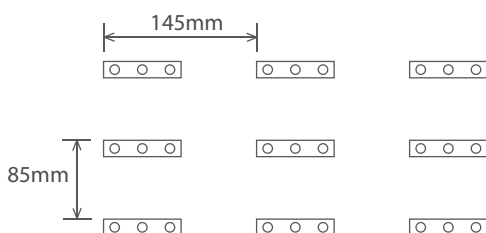
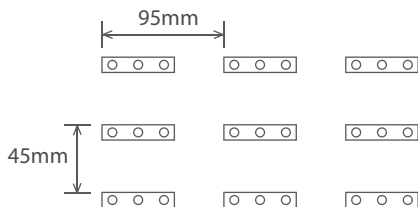
ELECTRICAL CHARACTERISTICS

Current dissipation : 60mA
 Power Consumption : 0.72W
 Operating power : DC 12V
 IC Chip-on-board current regulation
 Electronic dimming control supported

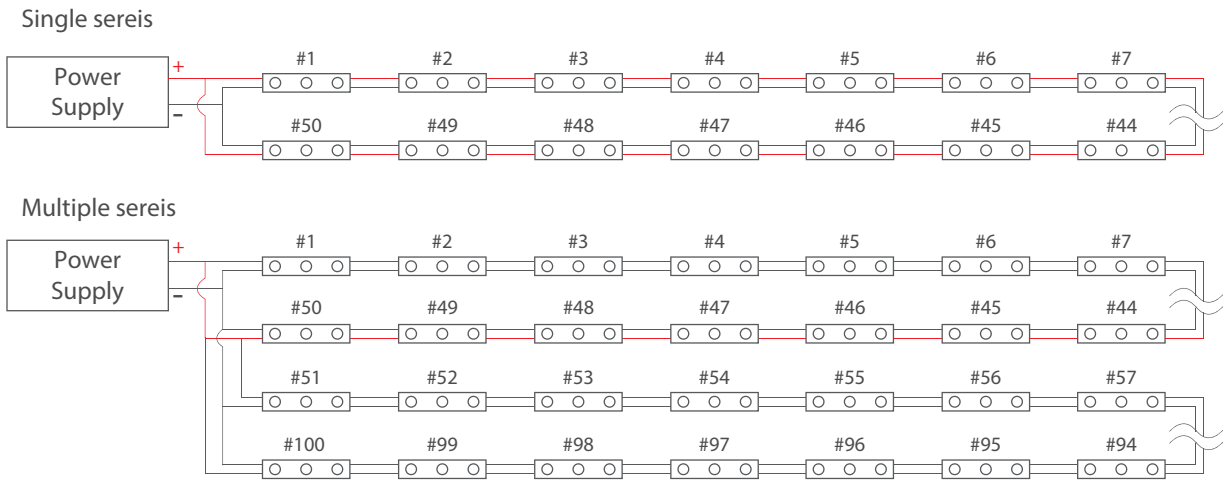
THERMAL

Operating temperature : -20~50℃
 Storage temperature : -30~70℃

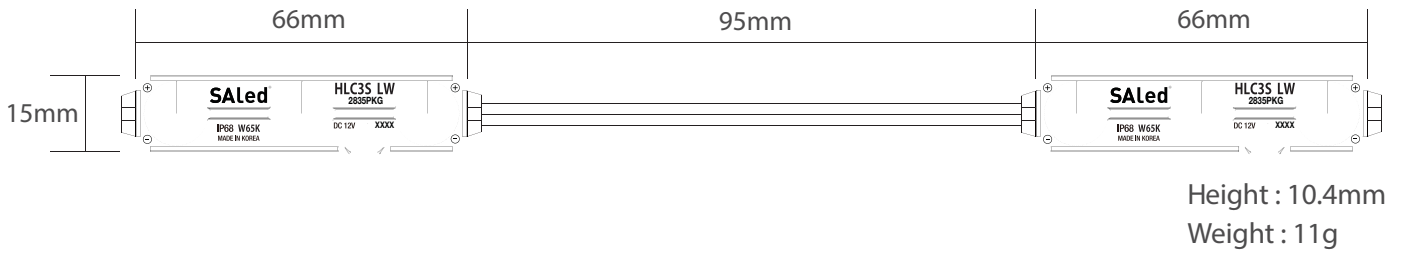
Module Layout guides



Up-to 50 modules in a single series



PHYSICAL CHARACTERISTICS



CONSTRUCTION

- Lens : PMMA, UL-94
- Cover : ABS
- Case : PC/ABS, UL-94, V-2
- Lead wire : AWG18